



LANBAO SENSOR complete solution for the sensors

Established in 1998, Shanghai Lanbao Sensing Technology Co., Ltd. is a leading industrial automation products supplier in China. Our main businesses are industrial sensors R&D, production, sales and application, providing customers with standard and individual products and systems. Lanbao industrial sensors covers over 30 series, 3000 specifications, main products are inductive sensors, photoelectric sensors, capacitive sensors and pressure sensors. Lanbao has been making continuous breakthrough in new technology and new material application, which laid the foundation of its leading position in sensing technology.

Lanbao is an ISO9001:2008 quality management system and EU RoHS environmental directives implemented enterprise. Our series products are with CE, UL and CCC certification. The strict test in function, quality, reliability and production feasibility at the design stage of each product and the strict quality management in production ensure excellent quality products.

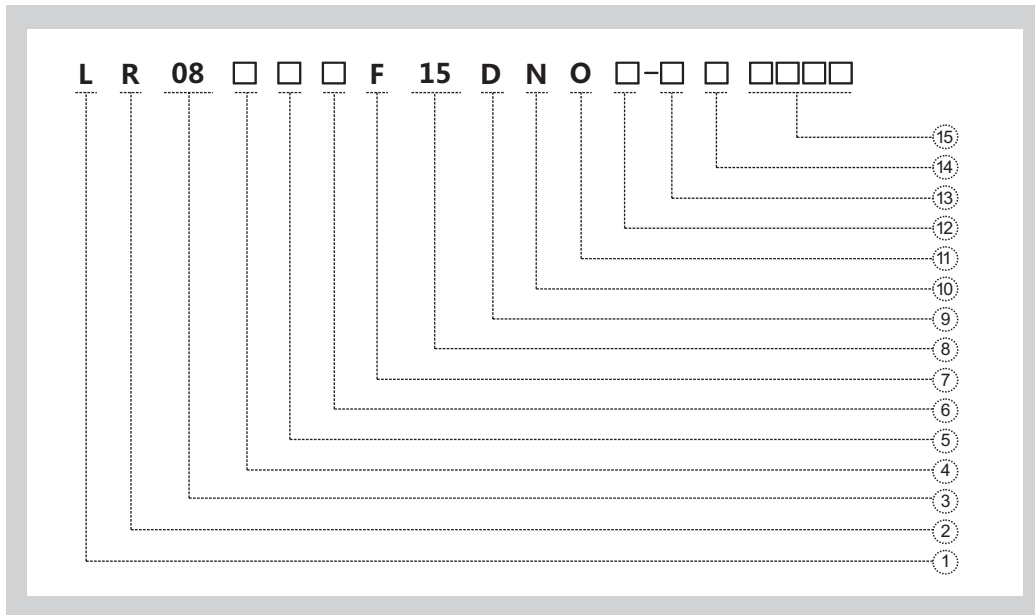
Focus on innovation, quality, service and global market, Lanbao insists on creating maximal value for customers.

Standard function inductive sensors

- Non-contact detecting way effectively avoids abrasion, safe and reliable.
- Built-in ASIC ensures quick response, high frequency, stable performance.
- Complete range of specification:
 - Smooth cylinder series: $\phi 4$ to $\phi 34$ mm;
 - threaded cylinder series :M5 to M30mm;
 - rectangular series: 7*7mm to 80*80mm.



Naming rules



1. Type Code

L:Inductive

2. Shape Code

R:Cylindrical
E:Rectangular

3. Size Code

Number:Housing diameter
e.g. 08:M8

4. Shape Code

Q:Smooth Cylindrical
V:Angle Column
Z:Combination
H:Ring-shaped
U:U-shaped
X:Semi-thread

5. Housing Material

N/A:Copper
S:Plastic
G:Stainless Steel
V:Aluminium

6. Housing Length

A:Short
B:Standard
C:Long

7. Mounting

N:Non-flush(nf)
F:Flush(f)

8. Sensing Distance

02:2mm
04:4mm
10:10mm

9. Supply Voltage

A:20...250VAC
B:90...250VAC
C:380VAC
D:10...30VDC
E:10...60VDC
F:8.2VDC
G:5...60VDC
L:15...30VDC
H:20...30VDC
I:10...40VDC
J:5VDC
S:20...250VAC/DC
T:12...24VDC

10. Output Way

B:AC/DC 2 wires
L:DC 2 wires
T:AC 2 wires
P:PNP
N:NPN
E:NPN/PNP
F:NPN+PNP
K:Relay

11. Output Status

A:NO/NC Reversible
B:NO/NC Optional
Cable Optional;Potentiometer optional
O:NO
C:NC
R:NO+NC
IU:Voltage+Current
(0...10V,0...20mA)
U:Voltage(0...10V)
I:Current(0...20mA)
I4:Current(4...20mA)

12. By Sensor Function

N/A:Standard function
M:Analogue
N:NAMUR
W:High Temperature Resistant(-25°C...120°C)
W1:Low Temperature Resistant(-40°C...70°C)
W2:High Temperature Resistant(-25°C...100°C)
B:High Pressure Resistant
T:Speed
Z:Self-Diagnosis
Y:Extended Sensing Distance
G:High Frequency
Q:Metal Sensing Face
A:Welding-immune
K:EMI
F:Detect Iron Object
NF:Detect Non-Iron Object
J:Rotation Speed

13. Cable Length

N/A:2m
3M:3m

14. Connection

N/A:2M cable
E1:M8 connector (3 pins)
E2:M12 connector (4 pins)
E3:M8 connector (4 pins)
E4:M12 trapezoid connector (4 pins)
E5:M12 connector (5 pins)
D:Terminal

15. Special Requirement

In 4 Digits

Wiring diagram

DC 2 Wires	Lead wire	M8 Connector	M12 Connector	Terminal connect
NO				
NC				
DC 3 Wires	Lead wire	M8 Connector	M12 Connector	Terminal connect
NPN NO				
NPN NC				
PNP NO				
PNP NC				
DC 4 Wires	Lead wire	M12 Connector	Terminal connect	
NPN NO+NC				
PNP NO+NC				
AC 2 Wires	Lead wire	M12 Connector	Terminal connect	
SCR NO				
SCR NC				

Inductive sensors

AC/DC 2 Wires	Lead wire	M12 Connector	Terminal connect
NO			
NC			
NO/NC			

NAMUR	Lead wire	M8 Connector	M12 Connector	Terminal connect

Analog output	Lead wire	M12 Connector	Terminal connect
3 Wires Voltage output			
3 Wires Current output			
4 Wires Voltage/current output			

Remarks	M8 Connector	M12 Connector
Connector		

Inductive sensors

Model	Output	Supply Voltage	Mounting	Sensing Distance	Specifications	Housing Material	Connection
AC 2 Wires							P.41
LR30X	AC 2 Wires	AC20-250V	f/nf	10mm,15mm	M30*1.5*62	Nickel-copper alloy	Cable
LR30X	AC 2 Wires	AC20-250V	f/nf	10mm,15mm	M30*1.5*73	Nickel-copper alloy	M12 Connector
AC/DC 2 Wires							P.44
LR18X	AC/DC 2 Wires	AC/DC 20-250V	f/nf	5mm,8mm	M18*1*62	Nickel-copper alloy	Cable
LR18X	AC/DC 2 Wires	AC/DC 20-250V	f/nf	5mm,8mm	M18*1*73	Nickel-copper alloy	M12 Connector
LR30X	AC/DC 2 Wires	AC/DC 20-250V	f/nf	10mm,15mm	M30*1.5*62	Nickel-copper alloy	Cable
LR30X	AC/DC 2 Wires	AC/DC 20-250V	f/nf	10mm,15mm	M30*1.5*73	Nickel-copper alloy	M12 Connector

Standard function

rectangular type

P.46

Model	Output	Supply Voltage	Mounting	Sensing Distance	Specifications	Housing Material	Connection
DC 3/4 Wires							P.46
LE81	DC 3 Wires	DC10-30V	f	1.5mm	8*8*40	Aluminum alloy	Cable
LE81	DC 3 Wires	DC10-30V	f	1.5mm	8*8*50	Aluminum alloy	M8 Connector
LE82	DC 3 Wires	DC10-30V	f	1.5mm	8*8*40	Aluminum alloy	Cable
LE82	DC 3 Wires	DC10-30V	f	1.5mm	8*8*50	Aluminum alloy	M8 Connector
LE83	DC 3 Wires	DC10-30V	f	1.5mm	8*8*25	Aluminum alloy	Cable
LE83	DC 3 Wires	DC10-30V	f	1.5mm	8*8*25	Aluminum alloy	M8 Connector
LE84	DC 3 Wires	DC10-30V	f	1.5mm	8*8*25	Aluminum alloy	Cable
LE84	DC 3 Wires	DC10-30V	f	1.5mm	8*8*25	Aluminum alloy	M8 Connector
LE08	DC 3 Wires	DC10-30V	nf	2.5mm	7.5*8*23	PC	Cable
LE08X	DC 3 Wires	DC10-30V	nf	2.5mm	7.5*8*23	PC	Cable
LE09	DC 3 Wires	DC10-30V	nf	2.5mm	7.5*8*23	PC	Cable
LE11	DC 3 Wires	DC10-30V	nf	3mm	10*5.8*27	PC	Cable
LE10	DC 3 Wires	DC10-30V	f/nf	5mm,8mm	18*10*30	PBT	Cable
LE16	DC 3 Wires	DC10-30V	f/nf	2mm,4mm	16*12*28	PBT	Cable
LE36	DC 3 Wires	DC10-30V	f/nf	5mm,8mm	36*8*60	PBT	Cable
LE50	DC 3 Wires	DC10-30V	f/nf	5mm,8mm	25*10*50	PBT	Cable
LE17	DC 3 Wires	DC10-30V	f/nf	5mm,8mm	17*17*28	PBT	Cable
LE18	DC 3 Wires	DC10-30V	f/nf	5mm,8mm	18*18*35	PBT	Cable
LE20	DC 3 Wires	DC10-30V	f/nf	5mm,8mm	20*20*38	PBT	Cable
LE25	DC 3 Wires	DC10-30V	f/nf	7mm,10mm	25*25*39	PBT	Cable
LE30	DC 3/4 Wires	DC10-30V	f/nf	10mm,15mm	30*30*53	PBT	Cable
LE40	DC 3/4 Wires	DC10-30V	f/nf	15mm,20mm	40*40*53	PBT	Cable
LE68	DC 3/4 Wires	DC10-30V	f/nf	15mm,25mm	40*20*68	PBT	Cable
LE68	DC 3/4 Wires	DC10-30V	f/nf	15mm,25mm	40*20*68	PBT	M12 Connector

Inductive sensors

Model	Output	Supply Voltage	Mounting	Sensing Distance	Specifications	Housing Material	Connection
DC 2 Wires							P.56
LE17	DC 2 Wires	DC10-30V	f/nf	5mm,8mm	17*17*28	PBT	Cable
LE18	DC 2 Wires	DC10-30V	f/nf	5mm,8mm	18*18*35	PBT	Cable
LE20	DC 2 Wires	DC10-30V	f/nf	5mm,8mm	20*20*38	PBT	Cable
LE25	DC 2 Wires	DC10-30V	f/nf	7mm,10mm	25*25*39	PBT	Cable
LE30	DC 2 Wires	DC10-30V	f/nf	10mm,15mm	30*30*53	PBT	Cable
LE40	DC 2 Wires	DC10-30V	f/nf	15mm,20mm	40*40*53	PBT	Cable
LE68	DC 2 Wires	DC10-30V	f/nf	15mm,25mm	40*20*68	PBT	Cable
LE68	DC 2 Wires	DC10-30V	f/nf	15mm,25mm	40*20*68	PBT	M12 Connector

AC 2 Wires							P.60
LE17	AC 2 Wires	AC20-250V	f/nf	5mm,8mm	17*17*28	PBT	Cable
LE18	AC 2 Wires	AC20-250V	f/nf	5mm,8mm	18*18*35	PBT	Cable
LE20	AC 2 Wires	AC20-250V	f/nf	5mm,8mm	20*20*38	PBT	Cable
LE25	AC 2 Wires	AC20-250V	f/nf	7mm,10mm	25*25*39	PBT	Cable
LE30	AC 2 Wires	AC20-250V	f/nf	10mm,15mm	30*30*53	PBT	Cable
LE40	AC 2 Wires	AC20-250V	f/nf	15mm,20mm	40*40*53	PBT	Cable
LE68	AC 2 Wires	AC20-250V	f/nf	15mm,25mm	40*20*68	PBT	Cable
LE68	AC 2 Wires	AC20-250V	f/nf	15mm,25mm	40*20*68	PBT	M12 Connector

Standard function combined type

P.64

Model	Output	Supply Voltage	Mounting	Sensing Distance	Specifications	Housing Material	Connection
DC 3/4 Wires							P.64
LE40SZ	DC 3/4 Wires	DC10-30V	f/nf	15mm,20mm	40*40*66	PBT	M12 Connector
LE40XZ	DC 3/4 Wires	DC10-30V	f/nf	15mm,20mm	40*40*120	PBT	Terminal connect
LE40XZ	DC 3/4 Wires	DC10-30V	f/nf	15mm,20mm	40*40*120	PBT	M12 Connector
LE80XZ	DC 3/4 Wires	DC10-30V	f/nf	40mm,50mm	80*80*40	PBT	Terminal connect
LE80XZ	DC 3/4 Wires	DC10-30V	f/nf	40mm,50mm	80*80*40	PBT	M12 Connector
DC 2 Wires							P.67
LE40SZ	DC 2 Wires	DC10-30V	f/nf	15mm,20mm	40*40*66	PBT	M12 Connector
LE40XZ	DC 2 Wires	DC10-30V	f/nf	15mm,20mm	40*40*120	PBT	Terminal connect
LE40XZ	DC 2 Wires	DC10-30V	f/nf	15mm,20mm	40*40*120	PBT	M12 Connector
LE80XZ	DC 2 Wires	DC10-30V	f/nf	40mm,50mm	80*80*40	PBT	Terminal connect
LE80XZ	DC 2 Wires	DC10-30V	f/nf	40mm,50mm	80*80*40	PBT	M12 Connector

Inductive sensors

Model	Output	Supply Voltage	Mounting	Sensing Distance	Specifications	Housing Material	Connection
AC 2 Wires							P.70
LE40SZ	AC 2 Wires	AC20-250V	f/nf	15mm,20mm	40*40*66	PBT	M12 Connector
LE40XZ	AC 2 Wires	AC20-250V	f/nf	15mm,20mm	40*40*120	PBT	Terminal connect
LE40XZ	AC 2 Wires	AC20-250V	f/nf	15mm,20mm	40*40*120	PBT	M12 Connector
LE80XZ	AC 2 Wires	AC20-250V	f/nf	40mm,50mm	80*80*40	PBT	Terminal connect
LE80XZ	AC 2 Wires	AC20-250V	f/nf	40mm,50mm	80*80*40	PBT	M12 Connector
AC/DC 2 Wires							P.73
LE40SZ	AC/DC 2 Wires	AC/DC 20-250V	f/nf	15mm,20mm	40*40*66	PBT	M12 Connector
LE40XZ	AC/DC 2 Wires	AC/DC 20-250V	f/nf	15mm,20mm	40*40*120	PBT	Terminal connect
LE40XZ	AC/DC 2 Wires	AC/DC 20-250V	f/nf	15mm,20mm	40*40*120	PBT	M12 Connector
LE80XZ	AC/DC 2 Wires	AC/DC 20-250V	f/nf	40mm,50mm	80*80*40	PBT	Terminal connect
LE80XZ	AC/DC 2 Wires	AC/DC 20-250V	f/nf	40mm,50mm	80*80*40	PBT	M12 Connector

Standard function

NAMUR

P.76

Model	Output	Supply Voltage	Mounting	Sensing Distance	Specifications	Housing Material	Connection
Metal type							P.76
LR05	NAMUR	DC8.2V	f	0.8mm	M5*0.5*30	Stainless steel	Cable
LR08	NAMUR	DC8.2V	f	1.5mm,2mm	M8*1*22	Stainless steel	Cable
LR12X	NAMUR	DC8.2V	f/nf	2mm,4mm	M12*1*31	Nickel-copper alloy	Cable
LR18X	NAMUR	DC8.2V	f/nf	5mm,8mm	M18*1*32	Nickel-copper alloy	Cable
LR30X	NAMUR	DC8.2V	f/nf	10mm,15mm	M30*1.5*32	Nickel-copper alloy	Cable
Combined type							P.79
LE40SZ	NAMUR	DC8.2V	f/nf	15mm,20mm	40*40*66	PBT	M12 Connector
LE40XZ	NAMUR	DC8.2V	f/nf	15mm,20mm	40*40*120	PBT	Terminal connect
LE40XZ	NAMUR	DC8.2V	f/nf	15mm,20mm	40*40*120	PBT	M12 Connector
LE80XZ	NAMUR	DC8.2V	f/nf	40mm,50mm	80*80*40	PBT	Terminal connect
LE80XZ	NAMUR	DC8.2V	f/nf	40mm,50mm	80*80*40	PBT	M12 Connector

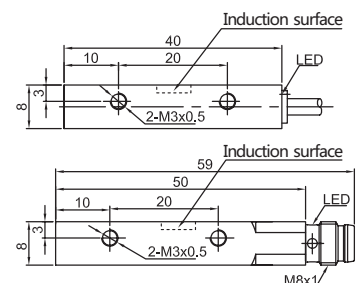
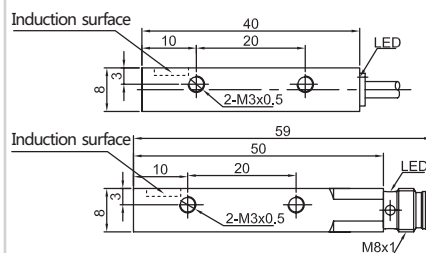
Item Code	LE81		LE82	
Mounting	● Flush	● Flush	● Flush	● Flush
Sensing distance	1.5mm	1.5mm	1.5mm	1.5mm



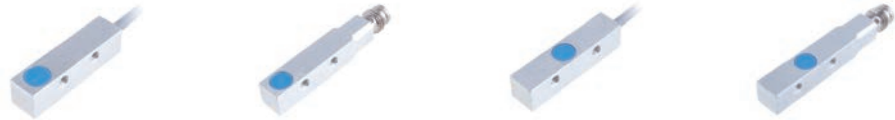
Output	NPN NO	LE81VF15DNO	LE81VF15DNO-E1	LE82VF15DNO	LE82VF15DNO-E1
	NPN NC	LE81VF15DNC	LE81VF15DNC-E1	LE82VF15DNC	LE82VF15DNC-E1
Output	PNP NO	LE81VF15DPO	LE81VF15DPO-E1	LE82VF15DPO	LE82VF15DPO-E1
	PNP NC	LE81VF15DPC	LE81VF15DPC-E1	LE82VF15DPC	LE82VF15DPC-E1

Technical Parameter				
Supply voltage	10...30 VDC	10...30 VDC	10...30 VDC	10...30 VDC
Switch point drift	< ±10% Sr	< ±10% Sr	< ±10% Sr	< ±10% Sr
Load current	<100mA	<100mA	<100mA	<100mA
Voltage drop	< 2.5V	< 2.5V	< 2.5V	< 2.5V
Consumption current	<10mA	<10mA	<10mA	<10mA
Hysteresis	1...20%	1...20%	1...20%	1...20%
Repeat accuracy	<3%	<3%	<3%	<3%
Frequency	2000Hz	2000Hz	2000Hz	2000Hz
Output indicator	Yellow LED	Yellow LED	Yellow LED	Yellow LED
Polarity protection	yes	yes	yes	yes
Dielectric strength	1000V/AC 50/60Hz 60s	1000V/AC 50/60Hz 60s	1000V/AC 50/60Hz 60s	1000V/AC 50/60Hz 60s
Short-circuit protection
Ambient temperature	-25...+70°C	-25...+70°C	-25...+70°C	-25...+70°C
Ambient moisture	35...95%	35...95%	35...95%	35...95%
Protection degree	IP67	IP67	IP67	IP67
Housing material	Aluminum alloy	Aluminum alloy	Aluminum alloy	Aluminum alloy
Connection	2m PVC Cable	M8 Connector	2m PVC Cable	M8 Connector
Certification	CE	CE	CE	CE

* Cable material and length can be customized



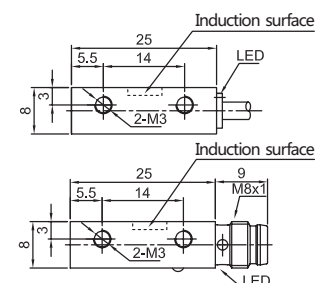
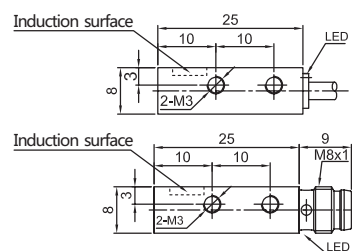
Item Code	LE83		LE84	
Mounting	● Flush	● Flush	● Flush	● Flush
Sensing distance	1.5mm	1.5mm	1.5mm	1.5mm



Output	NPN NO	LE83VF15DNO	LE83VF15DNO-E1	LE84VF15DNO	LE84VF15DNO-E1
	NPN NC	LE83VF15DNC	LE83VF15DNC-E1	LE84VF15DNC	LE84VF15DNC-E1
Output	PNP NO	LE83VF15DPO	LE83VF15DPO-E1	LE84VF15DPO	LE84VF15DPO-E1
	PNP NC	LE83VF15DPC	LE83VF15DPC-E1	LE84VF15DPC	LE84VF15DPC-E1

Technical Parameter				
Supply voltage	10...30 VDC	10...30 VDC	10...30 VDC	10...30 VDC
Switch point drift	< ±10% Sr	< ±10% Sr	< ±10% Sr	< ±10% Sr
Load current	<100mA	<100mA	<100mA	<100mA
Voltage drop	< 2.5V	< 2.5V	< 2.5V	< 2.5V
Consumption current	<10mA	<10mA	<10mA	<10mA
Hysteresis	1...20%	1...20%	1...20%	1...20%
Repeat accuracy	<3%	<3%	<3%	<3%
Frequency	2000Hz	2000Hz	2000Hz	2000Hz
Output indicator	Yellow LED	Yellow LED	Yellow LED	Yellow LED
Polarity protection	yes	yes	yes	yes
Dielectric strength	1000V/AC 50/60Hz 60s	1000V/AC 50/60Hz 60s	1000V/AC 50/60Hz 60s	1000V/AC 50/60Hz 60s
Short-circuit protection
Ambient temperature	-25...+70°C	-25...+70°C	-25...+70°C	-25...+70°C
Ambient moisture	35...95%	35...95%	35...95%	35...95%
Protection degree	IP67	IP67	IP67	IP67
Housing material	Aluminum alloy	Aluminum alloy	Aluminum alloy	Aluminum alloy
Connection	2m PVC Cable	M8 Connector	2m PVC Cable	M8 Connector
Certification	CE	CE	CE	CE

* Cable material and length can be customized



Item Code	LE08	LE08X
Mounting	● Non-flush	● Non-flush
Sensing distance	2.5mm	2.5mm

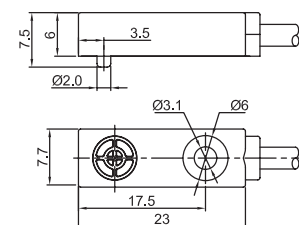
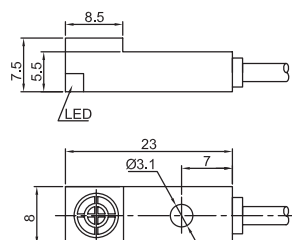


Output	NPN NO	LE08SN25DNO	LE08XSN25DNO
	NPN NC	LE08SN25DNC	LE08XSN25DNC
Output	PNP NO	LE08SN25DPO	LE08XSN25DPO
	PNP NC	LE08SN25DPC	LE08XSN25DPC

Technical Parameter

Supply voltage	10...30 VDC	10...30 VDC
Switch point drift	< ±10% Sr	< ±10% Sr
Load current	<100mA	<100mA
Voltage drop	< 2.5V	< 2.5V
Consumption current	<10mA	<10mA
Hysteresis	1...20%	1...20%
Repeat accuracy	<3%	<3%
Frequency	1000Hz	1000Hz
Output indicator	Red LED	Red LED
Polarity protection	yes	yes
Dielectric strength	1000V/AC 50/60Hz 60s	1000V/AC 50/60Hz 60s
Short-circuit protection
Ambient temperature	-25...+70°C	-25...+70°C
Ambient moisture	35...95%	35...95%
Protection degree	IP67	IP67
Housing material	PC	PC
Connection	2m PVC Cable	2m PVC Cable
Certification	CE	CE

* Cable material and length can be customized



Item Code	LE09	LE11
Mounting	● Non-flush	● Non-flush
Sensing distance	2.5 mm	3 mm

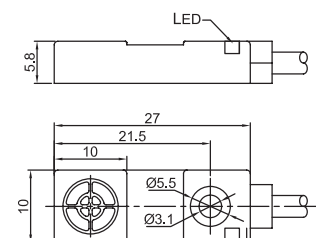
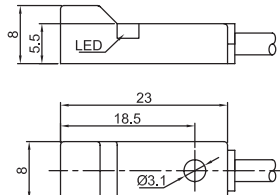


Output	NPN NO	LE09SN25DNO	LE11SN03DNO
	NPN NC	LE09SN25DNC	LE11SN03DNC
Output	PNP NO	LE09SN25DPO	LE11SN03DPO
	PNP NC	LE09SN25DPC	LE11SN03DPC

Technical Parameter

Supply voltage	10...30 VDC	10...30 VDC
Switch point drift	< ±10% Sr	< ±10% Sr
Load current	<100mA	<100mA
Voltage drop	< 2.5V	< 2.5V
Consumption current	<10mA	<10mA
Hysteresis	1...20%	1...20%
Repeat accuracy	<3%	<3%
Frequency	1000Hz	1000Hz
Output indicator	Red LED	Red LED
Polarity protection	yes	yes
Dielectric strength	1000V/AC 50/60Hz 60s	1000V/AC 50/60Hz 60s
Short-circuit protection
Ambient temperature	-25...+70°C	-25...+70°C
Ambient moisture	35...95%	35...95%
Protection degree	IP67	IP67
Housing material	PC	PC
Connection	2m PVC Cable	2m PVC Cable
Certification	CE	CE

* Cable material and length can be customized



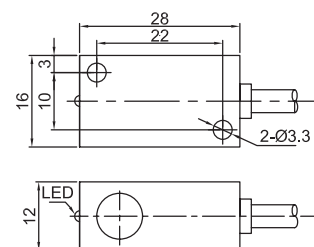
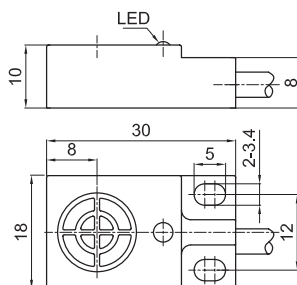
Item Code	LE10		LE16	
Mounting	● Flush	◐ Non-flush	● Flush	◐ Non-flush
Sensing distance	5mm	8mm	2mm	4mm



Output	NPN NO	LE10SF05DNO	LE10SN08DNO	LE16SF02DNO	LE16SN04DNO
	NPN NC	LE10SF05DNC	LE10SN08DNC	LE16SF02DNC	LE16SN04DNC
Output	PNP NO	LE10SF05DPO	LE10SN08DPO	LE16SF02DPO	LE16SN04DPO
	PNP NC	LE10SF05DPC	LE10SN08DPC	LE16SF02DPC	LE16SN04DPC

Technical Parameter				
Supply voltage	10...30 VDC	10...30 VDC	10...30 VDC	10...30 VDC
Switch point drift	< ±10% Sr	< ±10% Sr	< ±10% Sr	< ±10% Sr
Load current	<100mA	<100mA	<200mA	<200mA
Voltage drop	< 2.5V	< 2.5V	< 2.5V	< 2.5V
Consumption current	<10mA	<10mA	<10mA	<10mA
Hysteresis	1...20%	1...20%	1...20%	1...20%
Repeat accuracy	<3%	<3%	<3%	<3%
Frequency	1000Hz	800Hz	1000Hz	800Hz
Output indicator	Yellow LED	Yellow LED	Yellow LED	Yellow LED
Polarity protection	yes	yes	yes	yes
Dielectric strength	1000V/AC 50/60Hz 60s	1000V/AC 50/60Hz 60s	1000V/AC 50/60Hz 60s	1000V/AC 50/60Hz 60s
Short-circuit protection	yes	yes	yes	yes
Ambient temperature	-25...+70°C	-25...+70°C	-25...+70°C	-25...+70°C
Ambient moisture	35...95%	35...95%	35...95%	35...95%
Protection degree	IP67	IP67	IP67	IP67
Housing material	PBT	PBT	PBT	PBT
Connection	2m PVC Cable	2m PVC Cable	2m PVC Cable	2m PVC Cable
Certification	CE	CE	CE	CE

* Cable material and length can be customized



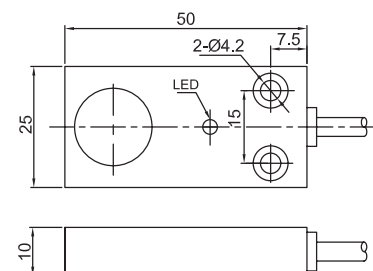
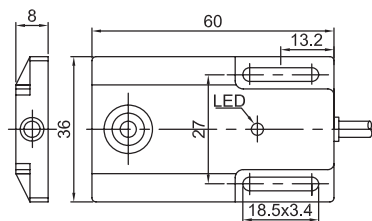
Item Code	LE36		LE50	
Mounting	● Flush	◐ Non-flush	● Flush	◐ Non-flush
Sensing distance	5mm	8mm	5mm	8mm



Output	NPN NO	LE36SF05DNO	LE36SN08DNO	LE50SF05DNO	LE50SN08DNO
	NPN NC	LE36SF05DNC	LE36SN08DNC	LE50SF05DNC	LE50SN08DNC
Output	PNP NO	LE36SF05DPO	LE36SN08DPO	LE50SF05DPO	LE50SN08DPO
	PNP NC	LE36SF05DPC	LE36SN08DPC	LE50SF05DPC	LE50SN08DPC

Technical Parameter				
Supply voltage	10...30 VDC	10...30 VDC	10...30 VDC	10...30 VDC
Switch point drift	< ±10% Sr	< ±10% Sr	< ±10% Sr	< ±10% Sr
Load current	<200mA	<200mA	<200mA	<200mA
Voltage drop	< 2.5V	< 2.5V	< 2.5V	< 2.5V
Consumption current	<10mA	<10mA	<10mA	<10mA
Hysteresis	1...20%	1...20%	1...20%	1...20%
Repeat accuracy	<3%	<3%	<3%	<3%
Frequency	700Hz	500Hz	700Hz	500Hz
Output indicator	Yellow LED	Yellow LED	Yellow LED	Yellow LED
Polarity protection	yes	yes	yes	yes
Dielectric strength	1000V/AC 50/60Hz 60s	1000V/AC 50/60Hz 60s	1000V/AC 50/60Hz 60s	1000V/AC 50/60Hz 60s
Short-circuit protection	yes	yes	yes	yes
Ambient temperature	-25...+70°C	-25...+70°C	-25...+70°C	-25...+70°C
Ambient moisture	35...95%	35...95%	35...95%	35...95%
Protection degree	IP67	IP67	IP67	IP67
Housing material	PBT	PBT	PBT	PBT
Connection	2m PVC Cable	2m PVC Cable	2m PVC Cable	2m PVC Cable
Certification	CE	CE	CE	CE

* Cable material and length can be customized



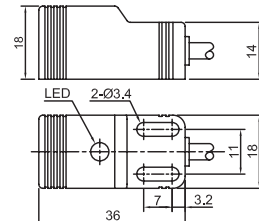
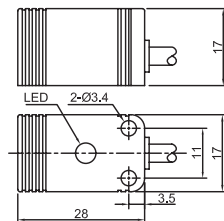
Item Code	LE17		LE18	
Mounting	● Flush	◐ Non-flush	● Flush	◐ Non-flush
Sensing distance	5mm	8mm	5mm	8mm



Output	NPN NO	LE17SF05DNO	LE17SN08DNO	LE18SF05DNO	LE18SN08DNO
	NPN NC	LE17SF05DNC	LE17SN08DNC	LE18SF05DNC	LE18SN08DNC
Output	PNP NO	LE17SF05DPO	LE17SN08DPO	LE18SF05DPO	LE18SN08DPO
	PNP NC	LE17SF05DPC	LE17SN08DPC	LE18SF05DPC	LE18SN08DPC

Technical Parameter				
Supply voltage	10...30 VDC	10...30 VDC	10...30 VDC	10...30 VDC
Switch point drift	< ±10% Sr	< ±10% Sr	< ±10% Sr	< ±10% Sr
Load current	<100mA	<100mA	<100mA	<100mA
Voltage drop	< 2.5V	< 2.5V	< 2.5V	< 2.5V
Consumption current	<10mA	<10mA	<10mA	<10mA
Hysteresis	1...20%	1...20%	1...20%	1...20%
Repeat accuracy	<3%	<3%	<3%	<3%
Frequency	700Hz	500Hz	700Hz	500Hz
Output indicator	Yellow LED	Yellow LED	Yellow LED	Yellow LED
Polarity protection	yes	yes	yes	yes
Dielectric strength	1000V/AC 50/60Hz 60s	1000V/AC 50/60Hz 60s	1000V/AC 50/60Hz 60s	1000V/AC 50/60Hz 60s
Short-circuit protection	yes	yes	yes	yes
Ambient temperature	-25...+70°C	-25...+70°C	-25...+70°C	-25...+70°C
Ambient moisture	35...95%	35...95%	35...95%	35...95%
Protection degree	IP67	IP67	IP67	IP67
Housing material	PBT	PBT	PBT	PBT
Connection	2m PVC Cable	2m PVC Cable	2m PVC Cable	2m PVC Cable
Certification	CE	CE	CE	CE

* Cable material and length can be customized



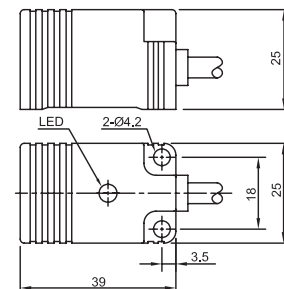
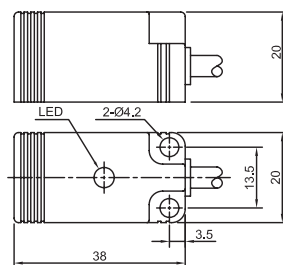
Item Code	LE20		LE25	
Mounting	● Flush	◐ Non-flush	● Flush	◐ Non-flush
Sensing distance	5mm	8mm	7mm	10mm



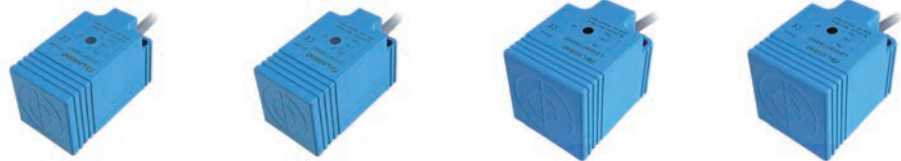
Output	NPN NO	LE20SF05DNO	LE20SN08DNO	LE25SF07DNO	LE25SN10DNO
	NPN NC	LE20SF05DNC	LE20SN08DNC	LE25SF07DNC	LE25SN10DNC
Output	PNP NO	LE20SF05DPO	LE20SN08DPO	LE25SF07DPO	LE25SN10DPO
	PNP NC	LE20SF05DPC	LE20SN08DPC	LE25SF07DPC	LE25SN10DPC

Technical Parameter				
Supply voltage	10...30 VDC	10...30 VDC	10...30 VDC	10...30 VDC
Switch point drift	< ±10% Sr	< ±10% Sr	< ±10% Sr	< ±10% Sr
Load current	<100mA	<100mA	<100mA	<100mA
Voltage drop	< 2.5V	< 2.5V	< 2.5V	< 2.5V
Consumption current	<10mA	<10mA	<10mA	<10mA
Hysteresis	1...20%	1...20%	1...20%	1...20%
Repeat accuracy	<3%	<3%	<3%	<3%
Frequency	700Hz	500Hz	700Hz	500Hz
Output indicator	Yellow LED	Yellow LED	Yellow LED	Yellow LED
Polarity protection	yes	yes	yes	yes
Dielectric strength	1000V/AC 50/60Hz 60s	1000V/AC 50/60Hz 60s	1000V/AC 50/60Hz 60s	1000V/AC 50/60Hz 60s
Short-circuit protection	yes	yes	yes	yes
Ambient temperature	-25...+70°C	-25...+70°C	-25...+70°C	-25...+70°C
Ambient moisture	35...95%	35...95%	35...95%	35...95%
Protection degree	IP67	IP67	IP67	IP67
Housing material	PBT	PBT	PBT	PBT
Connection	2m PVC Cable	2m PVC Cable	2m PVC Cable	2m PVC Cable
Certification	CE	CE	CE	CE

* Cable material and length can be customized



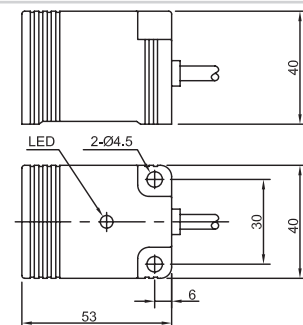
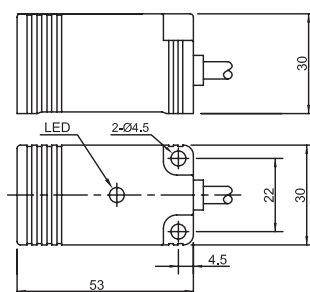
Item Code	LE30		LE40	
Mounting	● Flush	◐ Non-flush	● Flush	◐ Non-flush
Sensing distance	10mm	15mm	15mm	20mm



Output	NPN NO	LE30SF10DNO	LE30SN15DNO	LE40SF15DNO	LE40SN20DNO
	NPN NC	LE30SF10DNC	LE30SN15DNC	LE40SF15DNC	LE40SN20DNC
	NPN NO+NC	LE30SF10DNR	LE30SN15DNR	LE40SF15DNR	LE40SN20DNR
Output	PNP NO	LE30SF10DPO	LE30SN15DPO	LE40SF15DPO	LE40SN20DPO
	PNP NC	LE30SF10DPC	LE30SN15DPC	LE40SF15DPC	LE40SN20DPC
	PNP NO+NC	LE30SF10DPR	LE30SN15DPR	LE40SF15DPR	LE40SN20DPR

Technical Parameter				
Supply voltage	10...30 VDC	10...30 VDC	10...30 VDC	10...30 VDC
Switch point drift	< ±10% Sr	< ±10% Sr	< ±10% Sr	< ±10% Sr
Load current	<200mA	<200mA	<200mA	<200mA
Voltage drop	< 2.5V	< 2.5V	< 2.5V	< 2.5V
Consumption current	<10mA	<10mA	<10mA	<10mA
Hysteresis	1...20%	1...20%	1...20%	1...20%
Repeat accuracy	<3%	<3%	<3%	<3%
Frequency	500Hz	300Hz	400Hz	200Hz
Output indicator	Yellow LED	Yellow LED	Yellow LED	Yellow LED
Polarity protection	yes	yes	yes	yes
Dielectric strength	1000V/AC 50/60Hz 60s	1000V/AC 50/60Hz 60s	1000V/AC 50/60Hz 60s	1000V/AC 50/60Hz 60s
Short-circuit protection	yes	yes	yes	yes
Ambient temperature	-25...+70°C	-25...+70°C	-25...+70°C	-25...+70°C
Ambient moisture	35...95%	35...95%	35...95%	35...95%
Protection degree	IP67	IP67	IP67	IP67
Housing material	PBT	PBT	PBT	PBT
Connection	2m PVC Cable	2m PVC Cable	2m PVC Cable	2m PVC Cable
Certification	CE	CE	CE	CE

* Cable material and length can be customized



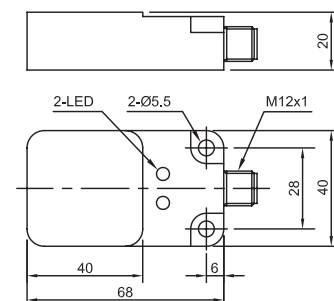
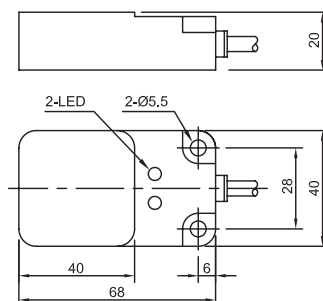
Item Code	LE68		LE68	
Mounting	● Flush	◐ Non-flush	● Flush	◐ Non-flush
Sensing distance	15mm	25mm	15mm	25mm



Output	NPN NO	LE68SF15DNO	LE68SN25DNO	LE68SF15DNO-E2	LE68SN25DNO-E2
	NPN NC	LE68SF15DNC	LE68SN25DNC	LE68SF15DNC-E2	LE68SN25DNC-E2
	NPN NO+NC	LE68SF15DNR	LE68SN25DNR	LE68SF15DNR-E2	LE68SN25DNR-E2
Output	PNP NO	LE68SF15DPO	LE68SN25DPO	LE68SF15DPO-E2	LE68SN25DPO-E2
	PNP NC	LE68SF15DPC	LE68SN25DPC	LE68SF15DPC-E2	LE68SN25DPC-E2
	PNP NO+NC	LE68SF15DPR	LE68SN25DPR	LE68SF15DPR-E2	LE68SN25DPR-E2

Technical Parameter				
Supply voltage	10...30 VDC	10...30 VDC	10...30 VDC	10...30 VDC
Switch point drift	< ±10% Sr	< ±10% Sr	< ±10% Sr	< ±10% Sr
Load current	<200mA	<200mA	<200mA	<200mA
Voltage drop	< 2.5V	< 2.5V	< 2.5V	< 2.5V
Consumption current	<10mA	<10mA	<10mA	<10mA
Hysteresis	1...20%	1...20%	1...20%	1...20%
Repeat accuracy	<3%	<3%	<3%	<3%
Frequency	500Hz	300Hz	500Hz	300Hz
Output indicator	Yellow LED	Yellow LED	Yellow LED	Yellow LED
Polarity protection	yes	yes	yes	yes
Dielectric strength	1000V/AC 50/60Hz 60s	1000V/AC 50/60Hz 60s	1000V/AC 50/60Hz 60s	1000V/AC 50/60Hz 60s
Short-circuit protection	yes	yes	yes	yes
Ambient temperature	-25...+70°C	-25...+70°C	-25...+70°C	-25...+70°C
Ambient moisture	35...95%	35...95%	35...95%	35...95%
Protection degree	IP67	IP67	IP67	IP67
Housing material	PBT	PBT	PBT	PBT
Connection	2m PVC Cable	2m PVC Cable	M12 Connector	M12 Connector
Certification	CE	CE	CE	CE

* Cable material and length can be customized



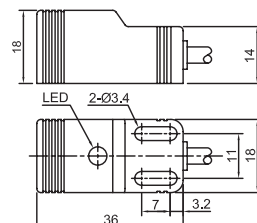
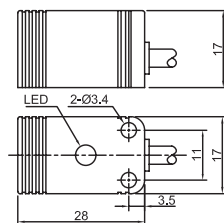
Item Code	LE17		LE18	
Mounting	● Flush	◐ Non-flush	● Flush	◐ Non-flush
Sensing distance	5mm	8mm	5mm	8mm



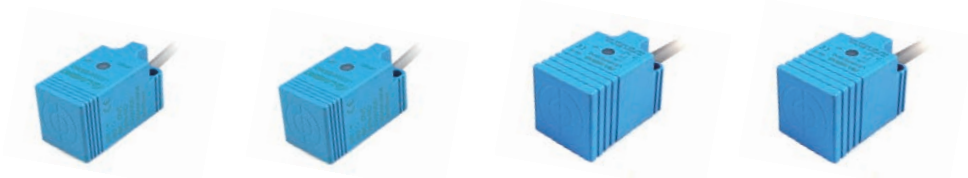
Output	DC 2 Wires NO	LE17SF05DLO	LE17SN08DLO	LE18SF05DLO	LE18SN08DLO
	DC 2 Wires NC	LE17SF05DLC	LE17SN08DLC	LE18SF05DLC	LE18SN08DLC

Technical Parameter				
Supply voltage	10...30 VDC	10...30 VDC	10...30 VDC	10...30 VDC
Switch point drift	< ±10% Sr	< ±10% Sr	< ±10% Sr	< ±10% Sr
Load current	<100mA	<100mA	<100mA	<100mA
Voltage drop	<8V	<8V	<8V	<8V
Leakage current	<1mA	<1mA	<1mA	<1mA
Hysteresis	1...20%	1...20%	1...20%	1...20%
Repeat accuracy	<3%	<3%	<3%	<3%
Frequency	500Hz	300Hz	500Hz	300Hz
Output indicator	Yellow LED	Yellow LED	Yellow LED	Yellow LED
Polarity protection	yes	yes	yes	yes
Dielectric strength	1000V/AC 50/60Hz 60s	1000V/AC 50/60Hz 60s	1000V/AC 50/60Hz 60s	1000V/AC 50/60Hz 60s
Short-circuit protection	yes	yes	yes	yes
Ambient temperature	-25...+70°C	-25...+70°C	-25...+70°C	-25...+70°C
Ambient moisture	35...95%	35...95%	35...95%	35...95%
Protection degree	IP67	IP67	IP67	IP67
Housing material	PBT	PBT	PBT	PBT
Connection	2m PVC Cable	2m PVC Cable	2m PVC Cable	2m PVC Cable
Certification	CE	CE	CE	CE

* Cable material and length can be customized



Item Code	LE20		LE25	
Mounting	● Flush	◐ Non-flush	● Flush	◐ Non-flush
Sensing distance	5mm	8mm	7mm	10mm

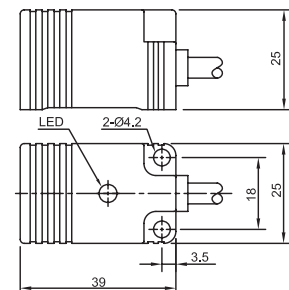
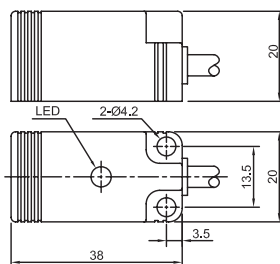


Output	DC 2 Wires NO	LE20SF05DLO	LE20SN08DLO	LE25SF07DLO	LE25SN10DLO
	DC 2 Wires NC	LE20SF05DLC	LE20SN08DLC	LE25SF07DLC	LE25SN10DLC

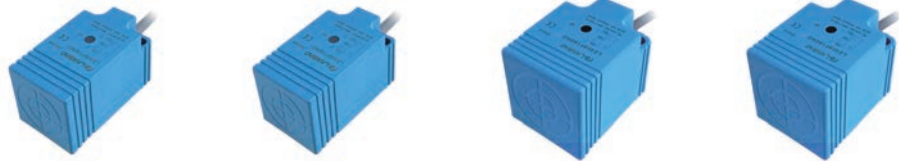
Technical Parameter

Supply voltage	10...30 VDC	10...30 VDC	10...30 VDC	10...30 VDC
Switch point drift	< ±10% Sr	< ±10% Sr	< ±10% Sr	< ±10% Sr
Load current	<100mA	<100mA	<100mA	<100mA
Voltage drop	<8V	<8V	<8V	<8V
Leakage current	<1mA	<1mA	<1mA	<1mA
Hysteresis	1...20%	1...20%	1...20%	1...20%
Repeat accuracy	<3%	<3%	<3%	<3%
Frequency	500Hz	300Hz	500Hz	300Hz
Output indicator	Yellow LED	Yellow LED	Yellow LED	Yellow LED
Polarity protection	yes	yes	yes	yes
Dielectric strength	1000V/AC 50/60Hz 60s	1000V/AC 50/60Hz 60s	1000V/AC 50/60Hz 60s	1000V/AC 50/60Hz 60s
Short-circuit protection	yes	yes	yes	yes
Ambient temperature	-25...+70°C	-25...+70°C	-25...+70°C	-25...+70°C
Ambient moisture	35...95%	35...95%	35...95%	35...95%
Protection degree	IP67	IP67	IP67	IP67
Housing material	PBT	PBT	PBT	PBT
Connection	2m PVC Cable	2m PVC Cable	2m PVC Cable	2m PVC Cable
Certification	CE	CE	CE	CE

* Cable material and length can be customized



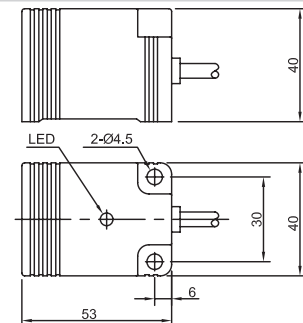
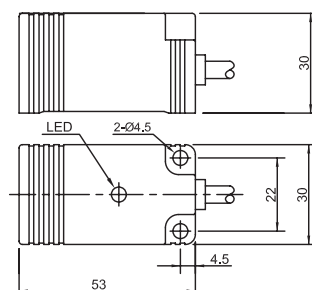
Item Code	LE30		LE40	
Mounting	● Flush	◐ Non-flush	● Flush	◐ Non-flush
Sensing distance	10mm	15mm	15mm	20mm



Output	DC 2 Wires NO	LE30SF10DLO	LE30SN15DLO	LE40SF15DLO	LE40SN20DLO
	DC 2 Wires NC	LE30SF10DLC	LE30SN15DLC	LE40SF15DLC	LE40SN20DLC

Technical Parameter				
Supply voltage	10...30 VDC	10...30 VDC	10...30 VDC	10...30 VDC
Switch point drift	< ±10% Sr	< ±10% Sr	< ±10% Sr	< ±10% Sr
Load current	<100mA	<100mA	<100mA	<100mA
Voltage drop	<6V	<6V	<6V	<6V
Leakage current	<1mA	<1mA	<1mA	<1mA
Hysteresis	1...20%	1...20%	1...20%	1...20%
Repeat accuracy	<3%	<3%	<3%	<3%
Frequency	500Hz	300Hz	500Hz	300Hz
Output indicator	Yellow LED	Yellow LED	Yellow LED	Yellow LED
Polarity protection	yes	yes	yes	yes
Dielectric strength	1000V/AC 50/60Hz 60s	1000V/AC 50/60Hz 60s	1000V/AC 50/60Hz 60s	1000V/AC 50/60Hz 60s
Short-circuit protection	yes	yes	yes	yes
Ambient temperature	-25...+70°C	-25...+70°C	-25...+70°C	-25...+70°C
Ambient moisture	35...95%	35...95%	35...95%	35...95%
Protection degree	IP67	IP67	IP67	IP67
Housing material	PBT	PBT	PBT	PBT
Connection	2m PVC Cable	2m PVC Cable	2m PVC Cable	2m PVC Cable
Certification	CE	CE	CE	CE

* Cable material and length can be customized



Item Code	LE68		LE68	
Mounting	● Flush	◐ Non-flush	● Flush	◐ Non-flush
Sensing distance	15mm	25mm	15mm	25mm

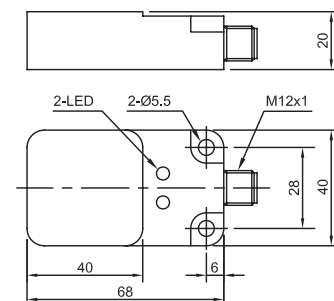
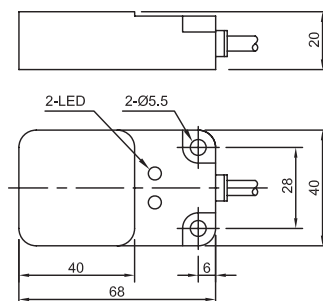


Output	DC 2 Wires NO	LE68SF15DLO	LE68SN25DLO	LE68SF15DLO-E2	LE68SN25DLO-E2
	DC 2 Wires NC	LE68SF15DLC	LE68SN25DLC	LE68SF15DLC-E2	LE68SN25DLC-E2

Technical Parameter

Supply voltage	10...30 VDC	10...30 VDC	10...30 VDC	10...30 VDC
Switch point drift	< ±10% Sr	< ±10% Sr	< ±10% Sr	< ±10% Sr
Load current	<100mA	<100mA	<100mA	<100mA
Voltage drop	<6V	<6V	<6V	<6V
Leakage current	<1mA	<1mA	<1mA	<1mA
Hysteresis	1...20%	1...20%	1...20%	1...20%
Repeat accuracy	<3%	<3%	<3%	<3%
Frequency	500Hz	300Hz	500Hz	300Hz
Output indicator	Yellow LED	Yellow LED	Yellow LED	Yellow LED
Polarity protection	yes	yes	yes	yes
Dielectric strength	1000V/AC 50/60Hz 60s	1000V/AC 50/60Hz 60s	1000V/AC 50/60Hz 60s	1000V/AC 50/60Hz 60s
Short-circuit protection	yes	yes	yes	yes
Ambient temperature	-25...+70°C	-25...+70°C	-25...+70°C	-25...+70°C
Ambient moisture	35...95%	35...95%	35...95%	35...95%
Protection degree	IP67	IP67	IP67	IP67
Housing material	PBT	PBT	PBT	PBT
Connection	2m PVC Cable	2m PVC Cable	M12 Connector	M12 Connector
Certification	CE	CE	CE	CE

* Cable material and length can be customized



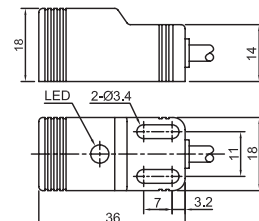
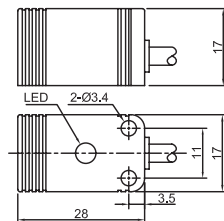
Item Code	LE17		LE18	
Mounting	● Flush	◐ Non-flush	● Flush	◐ Non-flush
Sensing distance	5mm	8mm	5mm	8mm



Output	AC 2 Wires NO	LE17SF05ATO	LE17SN08ATO	LE18SF05ATO	LE18SN08ATO
	AC 2 Wires NC	LE17SF05ATC	LE17SN08ATC	LE18SF05ATC	LE18SN08ATC

Technical Parameter				
Supply voltage	20...250 VAC	20...250 VAC	20...250 VAC	20...250 VAC
Switch point drift	< ±10% Sr	< ±10% Sr	< ±10% Sr	< ±10% Sr
Load current	<200mA	<200mA	<200mA	<200mA
Voltage drop	<10V	<10V	<10V	<10V
Leakage current	<3mA	<3mA	<3mA	<3mA
Hysteresis	1...20%	1...20%	1...20%	1...20%
Repeat accuracy	<3%	<3%	<3%	<3%
Frequency	20Hz	20Hz	20Hz	20Hz
Output indicator	Yellow LED	Yellow LED	Yellow LED	Yellow LED
Polarity protection
Dielectric strength	2000V/AC 50/60Hz 60s	2000V/AC 50/60Hz 60s	2000V/AC 50/60Hz 60s	2000V/AC 50/60Hz 60s
Short-circuit protection
Ambient temperature	-25...+70°C	-25...+70°C	-25...+70°C	-25...+70°C
Ambient moisture	35...95%	35...95%	35...95%	35...95%
Protection degree	IP67	IP67	IP67	IP67
Housing material	PBT	PBT	PBT	PBT
Connection	2m PVC Cable	2m PVC Cable	2m PVC Cable	2m PVC Cable
Certification	CE	CE	CE	CE

* Cable material and length can be customized



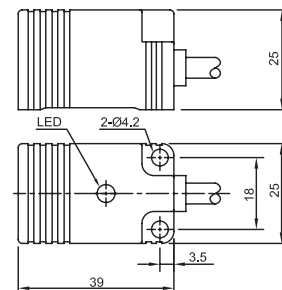
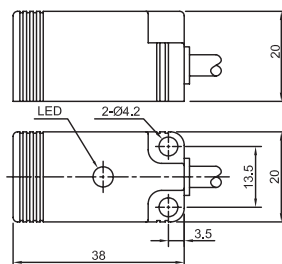
Item Code	LE20		LE25	
Mounting	● Flush	◐ Non-flush	● Flush	◐ Non-flush
Sensing distance	5mm	8mm	7mm	10mm



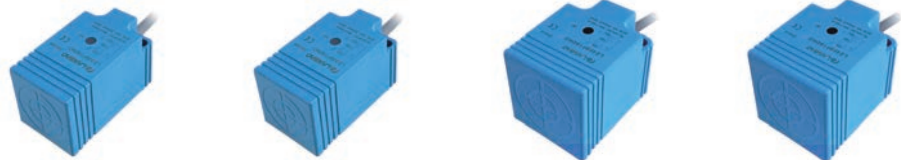
Output	AC 2 Wires NO	LE20SF05ATO	LE20SN08ATO	LE25SF07ATO	LE25SN10ATO
	AC 2 Wires NC	LE20SF05ATC	LE20SN08ATC	LE25SF07ATC	LE25SN10ATC

Technical Parameter				
Supply voltage	20...250 VAC	20...250 VAC	20...250 VAC	20...250 VAC
Switch point drift	< ±10% Sr	< ±10% Sr	< ±10% Sr	< ±10% Sr
Load current	<200mA	<200mA	<200mA	<200mA
Voltage drop	<10V	<10V	<10V	<10V
Leakage current	<3mA	<3mA	<3mA	<3mA
Hysteresis	1...20%	1...20%	1...20%	1...20%
Repeat accuracy	<3%	<3%	<3%	<3%
Frequency	20Hz	20Hz	20Hz	20Hz
Output indicator	Yellow LED	Yellow LED	Yellow LED	Yellow LED
Polarity protection
Dielectric strength	2000V/AC 50/60Hz 60s	2000V/AC 50/60Hz 60s	2000V/AC 50/60Hz 60s	2000V/AC 50/60Hz 60s
Short-circuit protection
Ambient temperature	-25...+70°C	-25...+70°C	-25...+70°C	-25...+70°C
Ambient moisture	35...95%	35...95%	35...95%	35...95%
Protection degree	IP67	IP67	IP67	IP67
Housing material	PBT	PBT	PBT	PBT
Connection	2m PVC Cable	2m PVC Cable	2m PVC Cable	2m PVC Cable
Certification	CE	CE	CE	CE

* Cable material and length can be customized



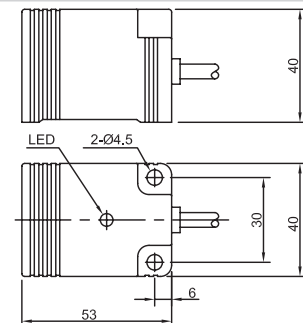
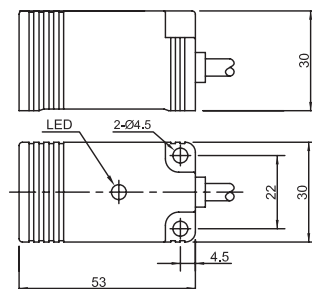
Item Code	LE30		LE40	
Mounting	● Flush	◐ Non-flush	● Flush	◐ Non-flush
Sensing distance	10mm	15mm	15mm	20mm



Output	AC 2 Wires NO	LE30SF10ATO	LE30SN15ATO	LE40SF15ATO	LE40SN20ATO
	AC 2 Wires NC	LE30SF10ATC	LE30SN15ATC	LE40SF15ATC	LE40SN20ATC

Technical Parameter				
Supply voltage	20...250 VAC	20...250 VAC	20...250 VAC	20...250 VAC
Switch point drift	< ±10% Sr	< ±10% Sr	< ±10% Sr	< ±10% Sr
Load current	<300mA	<300mA	<300mA	<300mA
Voltage drop	<10V	<10V	<10V	<10V
Leakage current	<3mA	<3mA	<3mA	<3mA
Hysteresis	1...20%	1...20%	1...20%	1...20%
Repeat accuracy	<3%	<3%	<3%	<3%
Frequency	20Hz	20Hz	20Hz	20Hz
Output indicator	Yellow LED	Yellow LED	Yellow LED	Yellow LED
Polarity protection
Dielectric strength	2000V/AC 50/60Hz 60s	2000V/AC 50/60Hz 60s	2000V/AC 50/60Hz 60s	2000V/AC 50/60Hz 60s
Short-circuit protection
Ambient temperature	-25...+70°C	-25...+70°C	-25...+70°C	-25...+70°C
Ambient moisture	35...95%	35...95%	35...95%	35...95%
Protection degree	IP67	IP67	IP67	IP67
Housing material	PBT	PBT	PBT	PBT
Connection	2m PVC Cable	2m PVC Cable	2m PVC Cable	2m PVC Cable
Certification	CE	CE	CE	CE

* Cable material and length can be customized



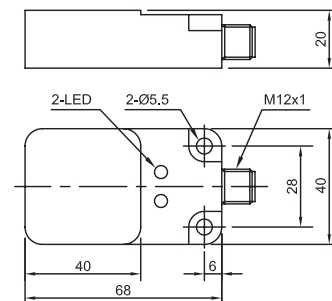
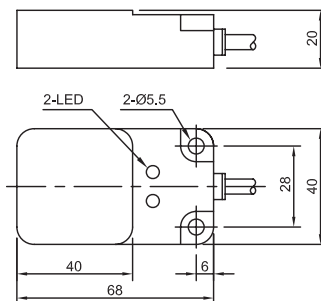
Item Code	LE68		LE68	
Mounting	● Flush	◐ Non-flush	● Flush	◐ Non-flush
Sensing distance	15mm	25mm	15mm	25mm



Output	AC 2 Wires NO	LE68SF15ATO	LE68SN25ATO	LE68SF15ATO-E2	LE68SN25ATO-E2
	AC 2 Wires NC	LE68SF15ATC	LE68SN25ATC	LE68SF15ATC-E2	LE68SN25ATC-E2

Technical Parameter				
Supply voltage	20...250 VAC	20...250 VAC	20...250 VAC	20...250 VAC
Switch point drift	< ±10% Sr	< ±10% Sr	< ±10% Sr	< ±10% Sr
Load current	<300mA	<300mA	<300mA	<300mA
Voltage drop	<10V	<10V	<10V	<10V
Leakage current	<3mA	<3mA	<3mA	<3mA
Hysteresis	1...20%	1...20%	1...20%	1...20%
Repeat accuracy	<3%	<3%	<3%	<3%
Frequency	20Hz	20Hz	20Hz	20Hz
Output indicator	Yellow LED	Yellow LED	Yellow LED	Yellow LED
Polarity protection
Dielectric strength	2000V/AC 50/60Hz 60s	2000V/AC 50/60Hz 60s	2000V/AC 50/60Hz 60s	2000V/AC 50/60Hz 60s
Short-circuit protection
Ambient temperature	-25...+70°C	-25...+70°C	-25...+70°C	-25...+70°C
Ambient moisture	35...95%	35...95%	35...95%	35...95%
Protection degree	IP67	IP67	IP67	IP67
Housing material	PBT	PBT	PBT	PBT
Connection	2m PVC Cable	2m PVC Cable	M12 Connector	M12 Connector
Certification	CE	CE	CE	CE

* Cable material and length can be customized

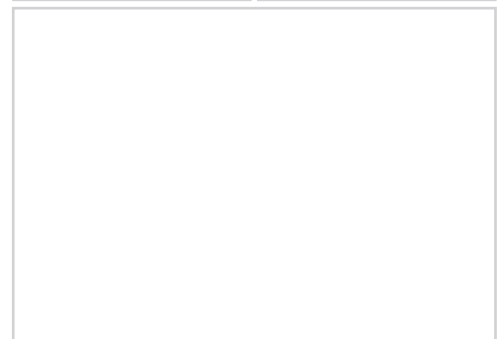
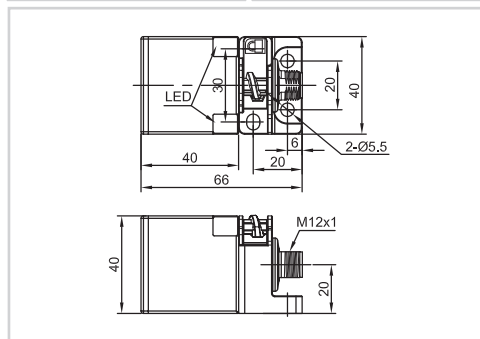


Item Code	LE40SZ			
Mounting	● Flush	◐ Non-flush		
Sensing distance	15mm	20mm		



Output	NPN NO	LE40SZSF15DNO-E2	LE40SZSN20DNO-E2		
	NPN NC	LE40SZSF15DNC-E2	LE40SZSN20DNC-E2		
	NPN NO+NC	LE40SZSF15DNR-E2	LE40SZSN20DNR-E2		
Output	PNP NO	LE40SZSF15DPO-E2	LE40SZSN20DPO-E2		
	PNP NC	LE40SZSF15DPC-E2	LE40SZSN20DPC-E2		
	PNP NO+NC	LE40SZSF15DPR-E2	LE40SZSN20DPR-E2		

Technical Parameter				
Supply voltage	10...30 VDC	10...30 VDC		
Switch point drift	< ±10% Sr	< ±10% Sr		
Load current	<200mA	<200mA		
Voltage drop	< 2.5V	< 2.5V		
Consumption current	<10mA	<10mA		
Hysteresis	1...20%	1...20%		
Repeat accuracy	<3%	<3%		
Frequency	500Hz	300Hz		
Output indicator	Yellow LED	Yellow LED		
Polarity protection	yes	yes		
Dielectric strength	1000V/AC 50/60Hz 60s	1000V/AC 50/60Hz 60s		
Short-circuit protection	yes	yes		
Ambient temperature	-25...+70°C	-25...+70°C		
Ambient moisture	35...95%	35...95%		
Protection degree	IP67	IP67		
Housing material	PBT	PBT		
Connection	M12 Connector	M12 Connector		
Certification	CE	CE		

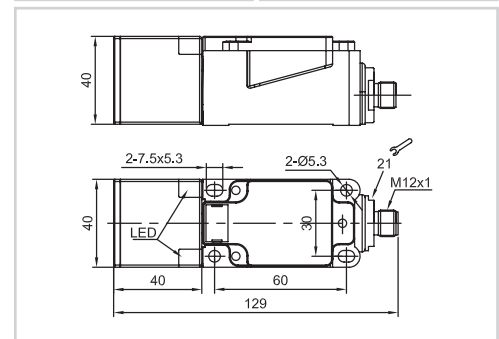
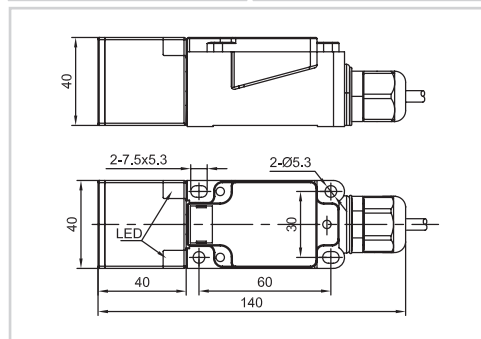


Item Code	LE40XZ		LE40XZ	
Mounting	● Flush	◐ Non-flush	● Flush	◐ Non-flush
Sensing distance	15mm	20mm	15mm	20mm



Output	NPN NO	LE40XZSF15DNO-D	LE40XZSN20DNO-D	LE40XZSF15DNO-E2	LE40XZSN20DNO-E2
	NPN NC	LE40XZSF15DNC-D	LE40XZSN20DNC-D	LE40XZSF15DNC-E2	LE40XZSN20DNC-E2
	NPN NO+NC	LE40XZSF15DNR-D	LE40XZSN20DNR-D	LE40XZSF15DNR-E2	LE40XZSN20DNR-E2
Output	PNP NO	LE40XZSF15DPO-D	LE40XZSN20DPO-D	LE40XZSF15DPO-E2	LE40XZSN20DPO-E2
	PNP NC	LE40XZSF15DPC-D	LE40XZSN20DPC-D	LE40XZSF15DPC-E2	LE40XZSN20DPC-E2
	PNP NO+NC	LE40XZSF15DPR-D	LE40XZSN20DPR-D	LE40XZSF15DPR-E2	LE40XZSN20DPR-E2

Technical Parameter				
Supply voltage	10...30 VDC	10...30 VDC	10...30 VDC	10...30 VDC
Switch point drift	< ±10% Sr	< ±10% Sr	< ±10% Sr	< ±10% Sr
Load current	<200mA	<200mA	<200mA	<200mA
Voltage drop	< 2.5V	< 2.5V	< 2.5V	< 2.5V
Consumption current	<10mA	<10mA	<10mA	<10mA
Hysteresis	1...20%	1...20%	1...20%	1...20%
Repeat accuracy	<3%	<3%	<3%	<3%
Frequency	500Hz	300Hz	500Hz	300Hz
Output indicator	Yellow LED	Yellow LED	Yellow LED	Yellow LED
Polarity protection	yes	yes	yes	yes
Dielectric strength	1000V/AC 50/60Hz 60s	1000V/AC 50/60Hz 60s	1000V/AC 50/60Hz 60s	1000V/AC 50/60Hz 60s
Short-circuit protection	yes	yes	yes	yes
Ambient temperature	-25...+70°C	-25...+70°C	-25...+70°C	-25...+70°C
Ambient moisture	35...95%	35...95%	35...95%	35...95%
Protection degree	IP67	IP67	IP67	IP67
Housing material	PBT	PBT	PBT	PBT
Connection	Terminal connect	Terminal connect	M12 Connector	M12 Connector
Certification	CE	CE	CE	CE

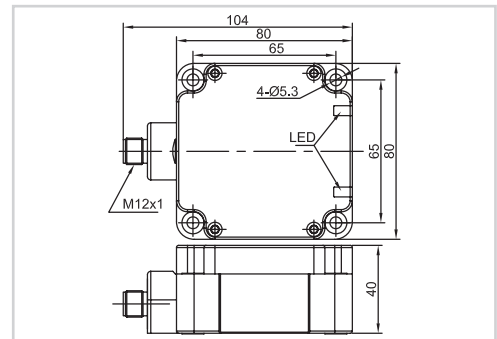
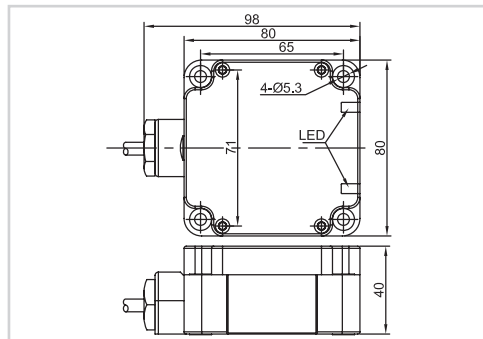


Item Code	LE80XZ		LE80XZ	
Mounting	● Flush	◐ Non-flush	● Flush	◐ Non-flush
Sensing distance	40mm	50mm	40mm	50mm



Output	NPN NO	LE80XZSF40DNO-D	LE80XZSN50DNO-D	LE80XZSF40DNO-E2	LE80XZSN50DNO-E2
	NPN NC	LE80XZSF40DNC-D	LE80XZSN50DNC-D	LE80XZSF40DNC-E2	LE80XZSN50DNC-E2
	NPN NO+NC	LE80XZSF40DNR-D	LE80XZSN50DNR-D	LE80XZSF40DNR-E2	LE80XZSN50DNR-E2
Output	PNP NO	LE80XZSF40DPO-D	LE80XZSN50DPO-D	LE80XZSF40DPO-E2	LE80XZSN50DPO-E2
	PNP NC	LE80XZSF40DPC-D	LE80XZSN50DPC-D	LE80XZSF40DPC-E2	LE80XZSN50DPC-E2
	PNP NO+NC	LE80XZSF40DPR-D	LE80XZSN50DPR-D	LE80XZSF40DPR-E2	LE80XZSN50DPR-E2

Technical Parameter				
Supply voltage	10...30 VDC	10...30 VDC	10...30 VDC	10...30 VDC
Switch point drift	< ±10% Sr	< ±10% Sr	< ±10% Sr	< ±10% Sr
Load current	<200mA	<200mA	<200mA	<200mA
Voltage drop	< 2.5V	< 2.5V	< 2.5V	< 2.5V
Consumption current	<10mA	<10mA	<10mA	<10mA
Hysteresis	1...20%	1...20%	1...20%	1...20%
Repeat accuracy	<3%	<3%	<3%	<3%
Frequency	100Hz	50Hz	100Hz	50Hz
Output indicator	Yellow LED	Yellow LED	Yellow LED	Yellow LED
Polarity protection	yes	yes	yes	yes
Dielectric strength	1000V/AC 50/60Hz 60s	1000V/AC 50/60Hz 60s	1000V/AC 50/60Hz 60s	1000V/AC 50/60Hz 60s
Short-circuit protection	yes	yes	yes	yes
Ambient temperature	-25...+70°C	-25...+70°C	-25...+70°C	-25...+70°C
Ambient moisture	35...95%	35...95%	35...95%	35...95%
Protection degree	IP67	IP67	IP67	IP67
Housing material	PBT	PBT	PBT	PBT
Connection	Terminal connect	Terminal connect	M12 Connector	M12 Connector
Certification	CE	CE	CE	CE

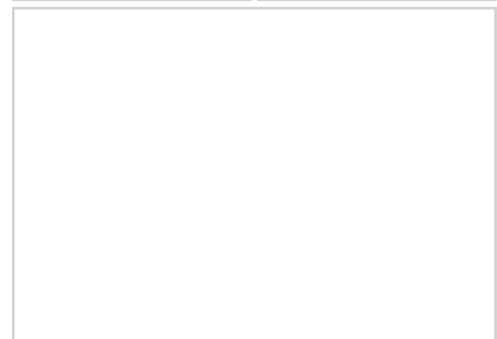
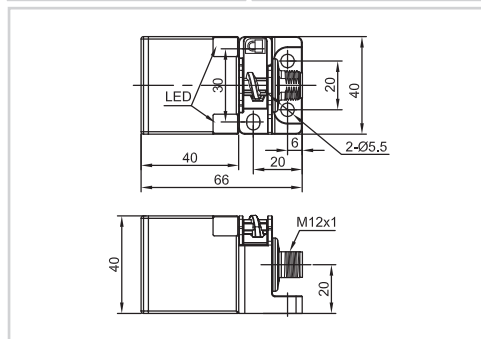






Item Code	LE40SZ			
Mounting	● Flush	◐ Non-flush		
Sensing distance	15mm	20mm		



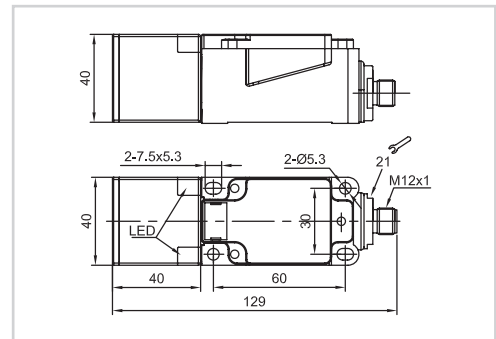
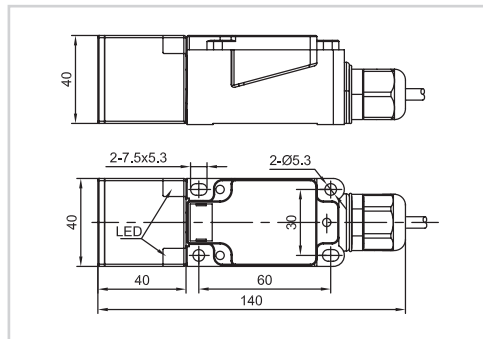
Output	DC 2 Wires NO	LE40SZSF15DLO-E2	LE40SZSN20DLO-E2		
	DC 2 Wires NC	LE40SZSF15DLC-E2	LE40SZSN20DLC-E2		

Technical Parameter					
Supply voltage		10...30 VDC	10...30 VDC		
Switch point drift		< ±10% Sr	< ±10% Sr		
Load current		<100mA	<100mA		
Voltage drop		< 6V	< 6V		
Leakage current		<1mA	<1mA		
Hysteresis		1...20%	1...20%		
Repeat accuracy		<3%	<3%		
Frequency		500Hz	300Hz		
Output indicator		Yellow LED	Yellow LED		
Polarity protection		yes	yes		
Dielectric strength		1000V/AC 50/60Hz 60s	1000V/AC 50/60Hz 60s		
Short-circuit protection		yes	yes		
Ambient temperature		-25...+70°C	-25...+70°C		
Ambient moisture		35...95%	35...95%		
Protection degree		IP67	IP67		
Housing material		PBT	PBT		
Connection		M12 Connector	M12 Connector		
Certification		CE	CE		



Item Code		LE40XZ		LE40XZ	
Mounting		● Flush	◐ Non-flush	● Flush	◐ Non-flush
Sensing distance		15mm	20mm	15mm	20mm
					
Output	DC 2 Wires NO	LE40XZSF15DLO-D	LE40XZSN20DLO-D	LE40XZSF15DLO-E2	LE40XZSN20DLO-E2
	DC 2 Wires NC	LE40XZSF15DLC-D	LE40XZSN20DLC-D	LE40XZSF15DLC-E2	LE40XZSN20DLC-E2

Technical Parameter					
Supply voltage		10...30 VDC	10...30 VDC	10...30 VDC	10...30 VDC
Switch point drift		< ±10% Sr	< ±10% Sr	< ±10% Sr	< ±10% Sr
Load current		<100mA	<100mA	<100mA	<100mA
Voltage drop		<6V	<6V	<6V	<6V
Leakage current		<1mA	<1mA	<1mA	<1mA
Hysteresis		1...20%	1...20%	1...20%	1...20%
Repeat accuracy		<3%	<3%	<3%	<3%
Frequency		500Hz	300Hz	500Hz	300Hz
Output indicator		Yellow LED	Yellow LED	Yellow LED	Yellow LED
Polarity protection		yes	yes	yes	yes
Dielectric strength		1000V/AC 50/60Hz 60s	1000V/AC 50/60Hz 60s	1000V/AC 50/60Hz 60s	1000V/AC 50/60Hz 60s
Short-circuit protection		yes	yes	yes	yes
Ambient temperature		-25...+70°C	-25...+70°C	-25...+70°C	-25...+70°C
Ambient moisture		35...95%	35...95%	35...95%	35...95%
Protection degree		IP67	IP67	IP67	IP67
Housing material		PBT	PBT	PBT	PBT
Connection		Terminal connect	Terminal connect	2m PVC Cable	2m PVC Cable
Certification		CE	CE	CE	CE



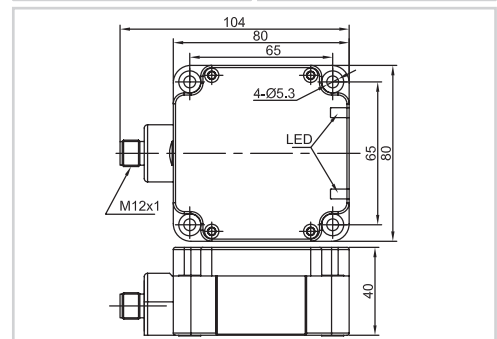
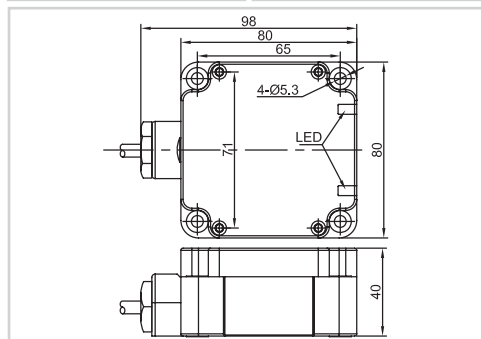
Item Code	LE80XZ		LE80XZ	
Mounting	● Flush	◐ Non-flush	● Flush	◐ Non-flush
Sensing distance	40mm	50mm	40mm	50mm



Output	DC 2 Wires NO	LE80XZSF40DLO-D	LE80XZSN50DLO-D	LE80XZSF40DLO-E2	LE80XZSN50DLO-E2
	DC 2 Wires NC	LE80XZSF40DLC-D	LE80XZSN50DLC-D	LE80XZSF40DLC-E2	LE80XZSN50DLC-E2

Technical Parameter

Supply voltage	10...30 VDC	10...30 VDC	10...30 VDC	10...30 VDC
Switch point drift	< ±10% Sr	< ±10% Sr	< ±10% Sr	< ±10% Sr
Load current	<100mA	<100mA	<100mA	<100mA
Voltage drop	<6V	<6V	<6V	<6V
Leakage current	<1mA	<1mA	<1mA	<1mA
Hysteresis	1...20%	1...20%	1...20%	1...20%
Repeat accuracy	<3%	<3%	<3%	<3%
Frequency	80Hz	40Hz	80Hz	40Hz
Output indicator	Yellow LED	Yellow LED	Yellow LED	Yellow LED
Polarity protection	yes	yes	yes	yes
Dielectric strength	1000V/AC 50/60Hz 60s	1000V/AC 50/60Hz 60s	1000V/AC 50/60Hz 60s	1000V/AC 50/60Hz 60s
Short-circuit protection
Ambient temperature	-25...+70°C	-25...+70°C	-25...+70°C	-25...+70°C
Ambient moisture	35...95%	35...95%	35...95%	35...95%
Protection degree	IP67	IP67	IP67	IP67
Housing material	PBT	PBT	PBT	PBT
Connection	Terminal connect	Terminal connect	M12 Connector	M12 Connector
Certification	CE	CE	CE	CE

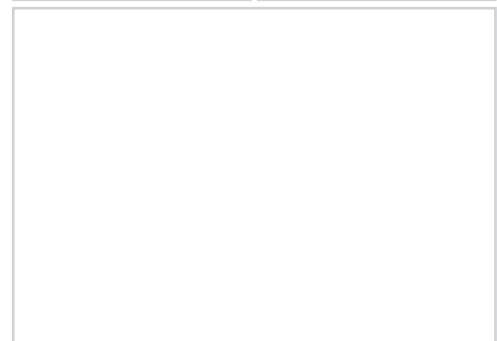
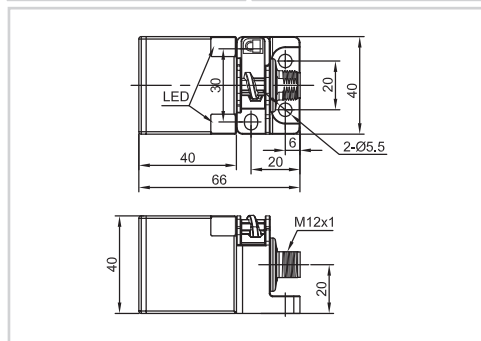




Item Code	LE40SZ			
Mounting	● Flush	◐ Non-flush		
Sensing distance	15mm	20mm		



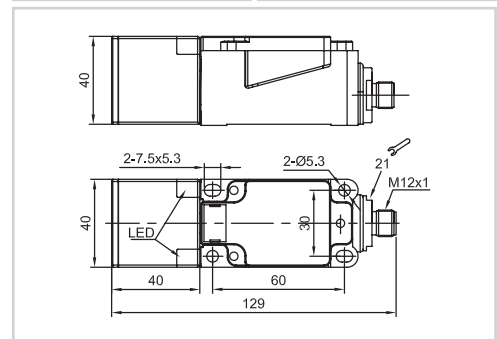
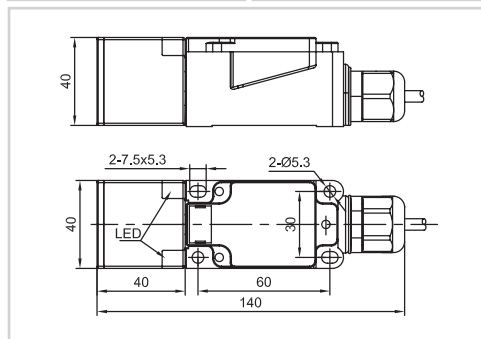
Output	AC 2 Wires NO	LE40SZSF15ATO-E2	LE40SZSN20ATO-E2		
	AC 2 Wires NC	LE40SZSF15ATC-E2	LE40SZSN20ATC-E2		

Technical Parameter					
Supply voltage		20...250 VAC	20...250 VAC		
Switch point drift		< ±10% Sr	< ±10% Sr		
Load current		<300mA	<300mA		
Voltage drop		< 10V	< 10V		
Leakage current		<3mA	<3mA		
Hysteresis		1...20%	1...20%		
Repeat accuracy		<3%	<3%		
Frequency		20Hz	20Hz		
Output indicator		Yellow LED	Yellow LED		
Polarity protection			
Dielectric strength		2000V/AC 50/60Hz 60s	2000V/AC 50/60Hz 60s		
Short-circuit protection			
Ambient temperature		-25...+70°C	-25...+70°C		
Ambient moisture		35...95%	35...95%		
Protection degree		IP67	IP67		
Housing material		PBT	PBT		
Connection		M12 Connector	M12 Connector		
Certification		CE	CE		



Item Code		LE40XZ		LE40XZ	
Mounting		● Flush	◐ Non-flush	● Flush	◐ Non-flush
Sensing distance		15mm	20mm	15mm	20mm
					
Output	AC 2 Wires NO	LE40XZSF15ATO-D	LE40XZSN20ATO-D	LE40XZSF15ATO-E2	LE40XZSN20ATO-E2
	AC 2 Wires NC	LE40XZSF15ATC-D	LE40XZSN20ATC-D	LE40XZSF15ATC-E2	LE40XZSN20ATC-E2

Technical Parameter					
Supply voltage		20...250 VAC	20...250 VAC	20...250 VAC	20...250 VAC
Switch point drift		< ±10% Sr	< ±10% Sr	< ±10% Sr	< ±10% Sr
Load current		<300mA	<300mA	<300mA	<300mA
Voltage drop		<10V	<10V	<10V	<10V
Leakage current		<3mA	<3mA	<3mA	<3mA
Hysteresis		1...20%	1...20%	1...20%	1...20%
Repeat accuracy		<3%	<3%	<3%	<3%
Frequency		20Hz	20Hz	20Hz	20Hz
Output indicator		Yellow LED	Yellow LED	Yellow LED	Yellow LED
Polarity protection	
Dielectric strength		2000V/AC 50/60Hz 60s	2000V/AC 50/60Hz 60s	2000V/AC 50/60Hz 60s	2000V/AC 50/60Hz 60s
Short-circuit protection	
Ambient temperature		-25...+70°C	-25...+70°C	-25...+70°C	-25...+70°C
Ambient moisture		35...95%	35...95%	35...95%	35...95%
Protection degree		IP67	IP67	IP67	IP67
Housing material		PBT	PBT	PBT	PBT
Connection		Terminal connect	Terminal connect	M12 Connector	M12 Connector
Certification		CE	CE	CE	CE

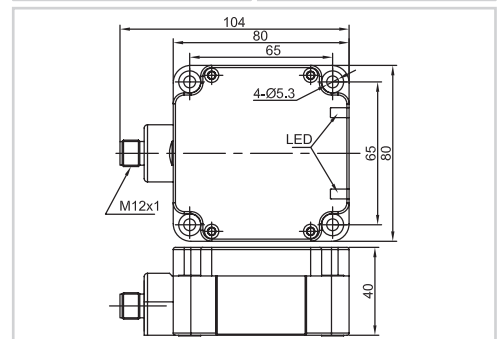
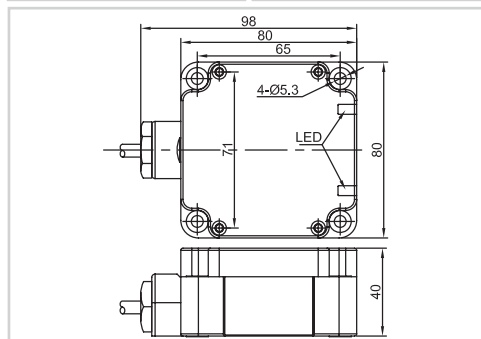


Item Code	LE80XZ		LE80XZ	
Mounting	● Flush	◐ Non-flush	● Flush	◐ Non-flush
Sensing distance	40mm	50mm	40mm	50mm



Output	AC 2 Wires NO	LE80XZSF40ATO-D	LE80XZSN50ATO-D	LE80XZSF40ATO-E2	LE80XZSN50ATO-E2
	AC 2 Wires NC	LE80XZSF40ATC-D	LE80XZSN50ATC-D	LE80XZSF40ATC-E2	LE80XZSN50ATC-E2

Technical Parameter				
Supply voltage	20...250 VAC	20...250 VAC	20...250 VAC	20...250 VAC
Switch point drift	< ±10% Sr	< ±10% Sr	< ±10% Sr	< ±10% Sr
Load current	<300mA	<300mA	<300mA	<300mA
Voltage drop	<10V	<10V	<10V	<10V
Leakage current	<3mA	<3mA	<3mA	<3mA
Hysteresis	1...20%	1...20%	1...20%	1...20%
Repeat accuracy	<3%	<3%	<3%	<3%
Frequency	10Hz	10Hz	10Hz	10Hz
Output indicator	Yellow LED	Yellow LED	Yellow LED	Yellow LED
Polarity protection
Dielectric strength	2000V/AC 50/60Hz 60s	2000V/AC 50/60Hz 60s	2000V/AC 50/60Hz 60s	2000V/AC 50/60Hz 60s
Short-circuit protection
Ambient temperature	-25...+70°C	-25...+70°C	-25...+70°C	-25...+70°C
Ambient moisture	35...95%	35...95%	35...95%	35...95%
Protection degree	IP67	IP67	IP67	IP67
Housing material	PBT	PBT	PBT	PBT
Connection	Terminal connect	Terminal connect	M12 Connector	M12 Connector
Certification	CE	CE	CE	CE



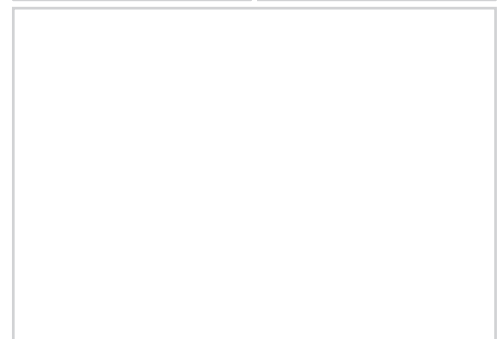
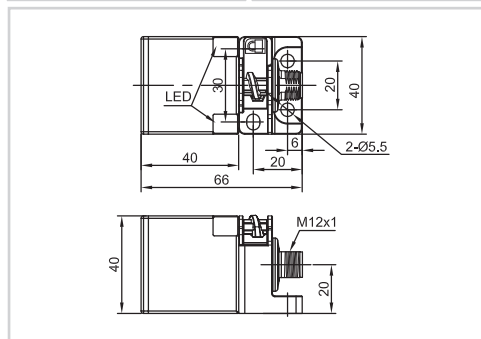
Item Code	LE40SZ	
Mounting	● Flush	◐ Non-flush
Sensing distance	15mm	20mm





Output	DC/AC 2 Wires NO	LE40SZSF15SBO-E2	LE40SZSN20SBO-E2
	DC/AC 2 Wires NC	LE40SZSF15SBC-E2	LE40SZSN20SBC-E2
	DC/AC 2 Wires NO/NC	LE40SZSF15SBB-E2	LE40SZSN20SBB-E2

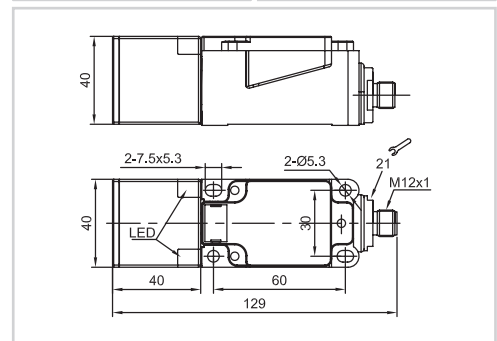
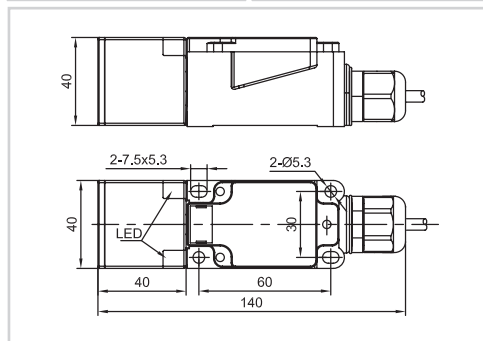
Technical Parameter


Supply voltage	20-250VAC/DC	
Switch point drift	< ±10% Sr	
Load current	AC: <300mA, DC: <100mA	
Voltage drop	AC:<10V, DC:<8V	
Leakage current	AC: <3mA, DC: <1mA	
Hysteresis	1...20%	
Repeat accuracy	<3%	
Frequency	AC: 20Hz, DC: 100Hz	
Output indicator	Yellow LED	Yellow LED
Polarity protection
Dielectric strength	2000V/AC 50/60Hz 60s	2000V/AC 50/60Hz 60s
Short-circuit protection
Ambient temperature	-25...+70°C	-25...+70°C
Ambient moisture	35...95%	35...95%
Protection degree	IP67	IP67
Housing material	PBT	PBT
Connection	M12 Connector	M12 Connector
Certification	CE	CE



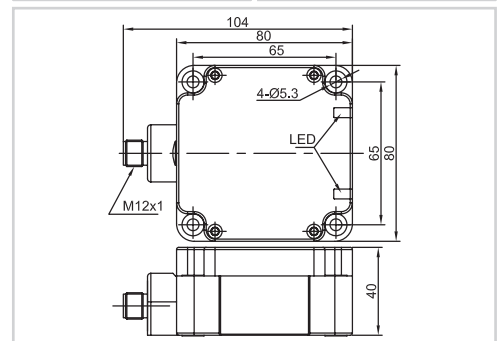
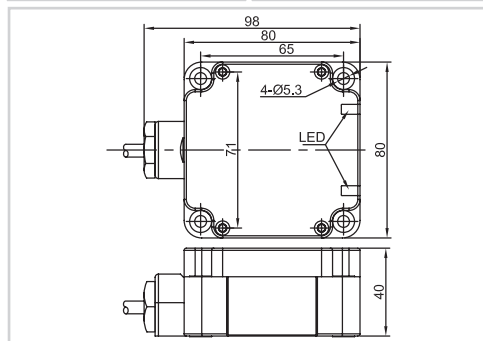
Item Code		LE40XZ		LE40XZ	
Mounting		● Flush	◐ Non-flush	● Flush	◐ Non-flush
Sensing distance		15mm	20mm	15mm	20mm
					
Output	DC/AC 2 Wires NO	LE40XZSF15SBO-D	LE40XZSN20SBO-D	LE40XZSF15SBO-E2	LE40XZSN20SBO-E2
	DC/AC 2 Wires NC	LE40XZSF15SBC-D	LE40XZSN20SBC-D	LE40XZSF15SBC-E2	LE40XZSN20SBC-E2
	DC/AC 2 Wires NO/NC	LE40XZSF15SBB-D	LE40XZSN20SBB-D	LE40XZSF15SBB-E2	LE40XZSN20SBB-E2

Technical Parameter					
Supply voltage	20-250VAC/DC		20-250VAC/DC		
Switch point drift	< ±10% Sr		< ±10% Sr		
Load current	AC: <300mA, DC: <100mA		AC: <300mA, DC: <100mA		
Voltage drop	AC:<10V, DC:<8V		AC:<10V, DC:<8V		
Leakage current	AC: <3mA, DC: <1mA		AC: <3mA, DC: <1mA		
Hysteresis	1...20%		1...20%		
Repeat accuracy	<3%		<3%		
Frequency	AC: 20Hz, DC: 100Hz		AC: 20Hz, DC: 100Hz		
Output indicator	Yellow LED	Yellow LED	Yellow LED	Yellow LED	
Polarity protection	
Dielectric strength	2000V/AC 50/60Hz 60s	2000V/AC 50/60Hz 60s	2000V/AC 50/60Hz 60s	2000V/AC 50/60Hz 60s	
Short-circuit protection	
Ambient temperature	-25...+70°C		-25...+70°C		
Ambient moisture	35...95%		35...95%		
Protection degree	IP67		IP67		
Housing material	PBT		PBT		
Connection	Terminal connect	Terminal connect	M12 Connector	M12 Connector	
Certification	CE		CE		



Item Code		LE80XZ		LE80XZ	
Mounting		● Flush	◐ Non-flush	● Flush	◐ Non-flush
Sensing distance		40mm	50mm	40mm	50mm
					
Output	DC/AC 2 Wires NO	LE80XZSF40SBO-D	LE80XZSN50SBO-D	LE80XZSF40SBO-E2	LE80XZSN50SBO-E2
	DC/AC 2 Wires NC	LE80XZSF40SBC-D	LE80XZSN50SBC-D	LE80XZSF40SBC-E2	LE80XZSN50SBC-E2
	DC/AC 2 Wires NO/NC	LE80XZSF40SBB-D	LE80XZSN50SBB-D	LE80XZSF40SBB-E2	LE80XZSN50SBB-E2

Technical Parameter					
Supply voltage	20-250VAC/DC		20-250VAC/DC		
Switch point drift	< ±10% Sr		< ±10% Sr		
Load current	AC: <300mA, DC: <100mA		AC: <300mA, DC: <100mA		
Voltage drop	AC:<10V, DC:<8V		AC:<10V, DC:<8V		
Leakage current	AC: <3mA, DC: <1mA		AC: <3mA, DC: <1mA		
Hysteresis	1...20%		1...20%		
Repeat accuracy	<3%		<3%		
Frequency	AC: 10Hz, DC: 40Hz		AC: 10Hz, DC: 40Hz		
Output indicator	Yellow LED	Yellow LED	Yellow LED	Yellow LED	
Polarity protection	
Dielectric strength	2000V/AC 50/60Hz 60s	2000V/AC 50/60Hz 60s	2000V/AC 50/60Hz 60s	2000V/AC 50/60Hz 60s	
Short-circuit protection	
Ambient temperature	-25...+70°C		-25...+70°C		
Ambient moisture	35...95%		35...95%		
Protection degree	IP67		IP67		
Housing material	PBT		PBT		
Connection	Terminal connect	Terminal connect	M12 Connector	M12 Connector	
Certification	CE		CE		



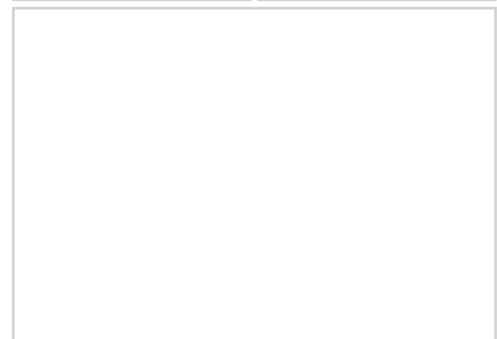
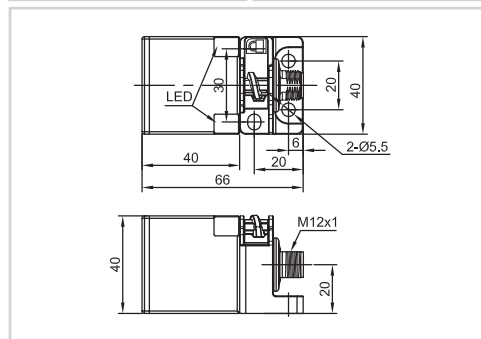
Item Code	LE40SZ			
Mounting	● Flush	◐ Non-flush		
Sensing distance	15mm	20mm		



Output	NAMUR	LE40SZSF15FLCN-E2	LE40SZSN20FLCN-E2		

Technical Parameter

Supply voltage		8.2 VDC	8.2 VDC		
Switch point drift		< ±10% Sr	< ±10% Sr		
Output current	Attenuation	≤1mA	≤1mA		
	Non-attenuation	≥2.2mA	≥2.2mA		
Load impedance		≥1KΩ	≥1KΩ		
Hysteresis		1...20%	1...20%		
Repeat accuracy		<3%	<3%		
Frequency		400Hz	250Hz		
Output indicator			
Polarity protection			
Dielectric strength			
Short-circuit protection			
Ambient temperature		-25...+70°C	-25...+70°C		
Ambient moisture		35...95%	35...95%		
Protection degree		IP67	IP67		
Housing material		PBT	PBT		
Connection		M12 Connector	M12 Connector		
Certification		CE	CE		



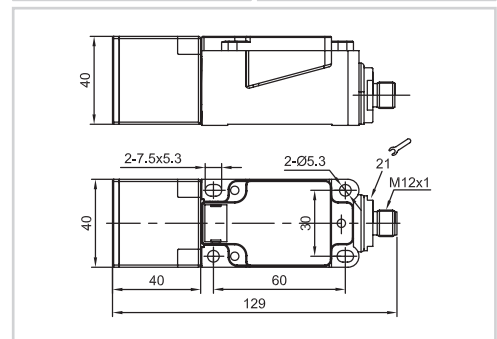
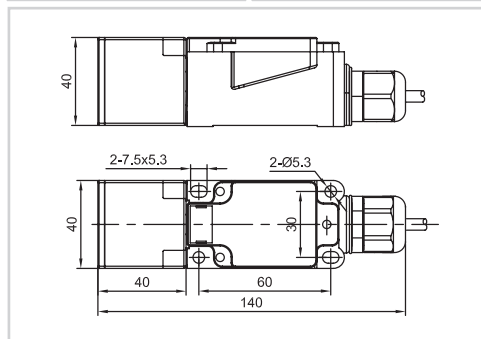
Item Code	LE40XZ		LE40XZ	
Mounting	● Flush	◐ Non-flush	● Flush	◐ Non-flush
Sensing distance	15mm	20mm	15mm	20mm



Output	NAMUR	LE40XZSF15FLCN-D	LE40XZSN20FLCN-D	LE40XZSF15FLCN-E2	LE40XZSN20FLCN-E2

Technical Parameter

Supply voltage	8.2 VDC	8.2 VDC	8.2 VDC	8.2 VDC	
Switch point drift	< ±10% Sr	< ±10% Sr	< ±10% Sr	< ±10% Sr	
Output current	Attenuation	≤1mA	≤1mA	≤1mA	≤1mA
	Non-attenuation	≥2.2mA	≥2.2mA	≥2.2mA	≥2.2mA
Load impedance	≥1KΩ	≥1KΩ	≥1KΩ	≥1KΩ	
Hysteresis	1...20%	1...20%	1...20%	1...20%	
Repeat accuracy	<3%	<3%	<3%	<3%	
Frequency	400Hz	250Hz	400Hz	250Hz	
Output indicator	
Polarity protection	
Dielectric strength	
Short-circuit protection	
Ambient temperature	-25...+70°C	-25...+70°C	-25...+70°C	-25...+70°C	
Ambient moisture	35...95%	35...95%	35...95%	35...95%	
Protection degree	IP67	IP67	IP67	IP67	
Housing material	PBT	PBT	PBT	PBT	
Connection	Terminal connect	Terminal connect	M12 Connector	M12 Connector	
Certification	CE	CE	CE	CE	



Item Code	LE80XZ		LE80XZ	
Mounting	● Flush	◐ Non-flush	● Flush	◐ Non-flush
Sensing distance	40mm	50mm	40mm	50mm



Output	NAMUR	LE80XZSF40FLCN-D	LE80XZSN50FLCN-D	LE80XZSF40FLCN-E2	LE80XZSN50FLCN-E2

Technical Parameter

Supply voltage	8.2 VDC	8.2 VDC	8.2 VDC	8.2 VDC
Switch point drift	< ±10% Sr	< ±10% Sr	< ±10% Sr	< ±10% Sr
Output current	Attenuation	≤1mA	≤1mA	≤1mA
	Non-attenuation	≥2.2mA	≥2.2mA	≥2.2mA
Load impedance	≥1KΩ	≥1KΩ	≥1KΩ	≥1KΩ
Hysteresis	1...20%	1...20%	1...20%	1...20%
Repeat accuracy	<3%	<3%	<3%	<3%
Frequency	100Hz	100Hz	100Hz	100Hz
Output indicator
Polarity protection
Dielectric strength
Short-circuit protection
Ambient temperature	-25...+70°C	-25...+70°C	-25...+70°C	-25...+70°C
Ambient moisture	35...95%	35...95%	35...95%	35...95%
Protection degree	IP67	IP67	IP67	IP67
Housing material	PBT	PBT	PBT	PBT
Connection	Terminal connect	Terminal connect	M12 Connector	M12 Connector
Certification	CE	CE	CE	CE

